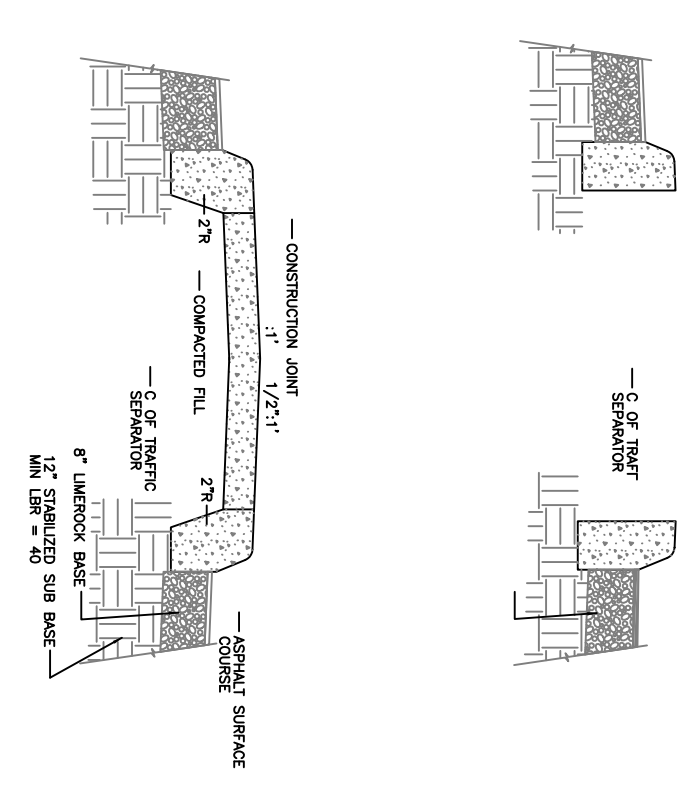
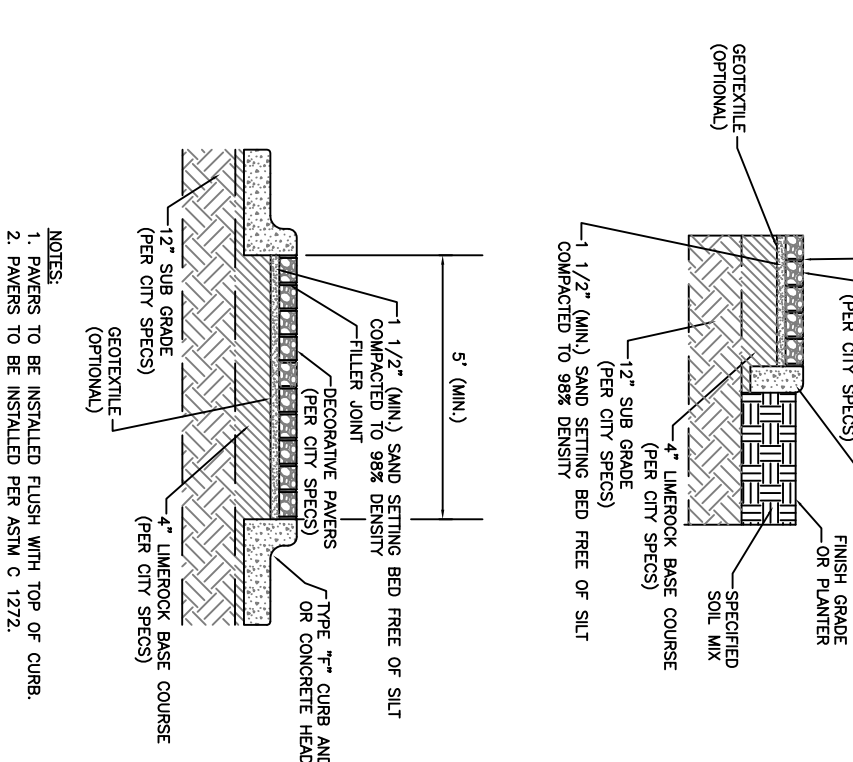


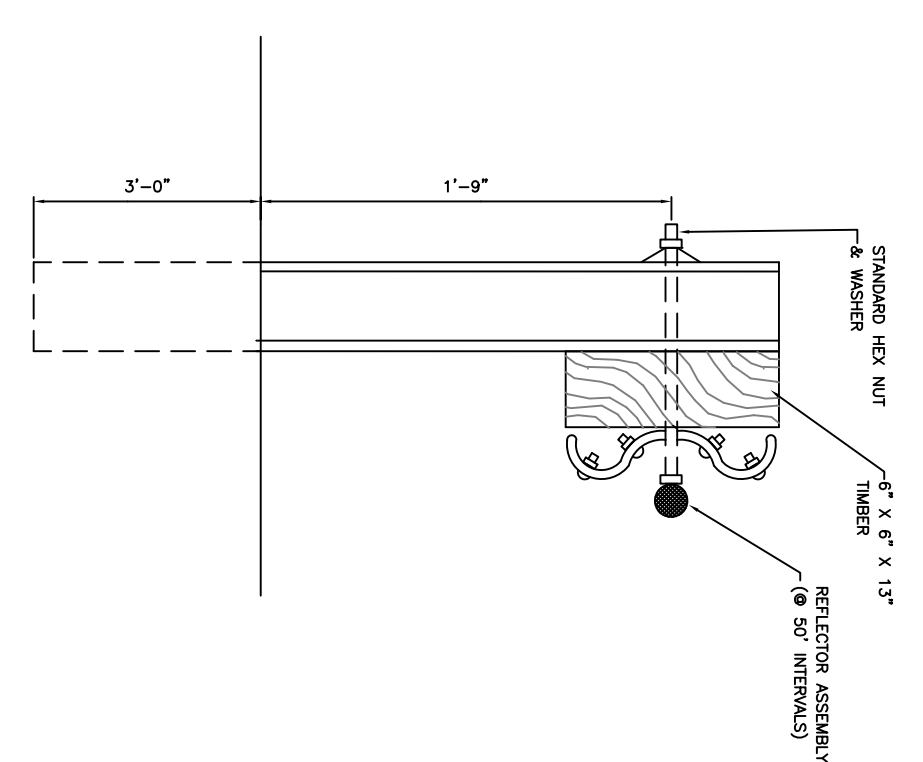
TYPICAL ROADWAY SECTION



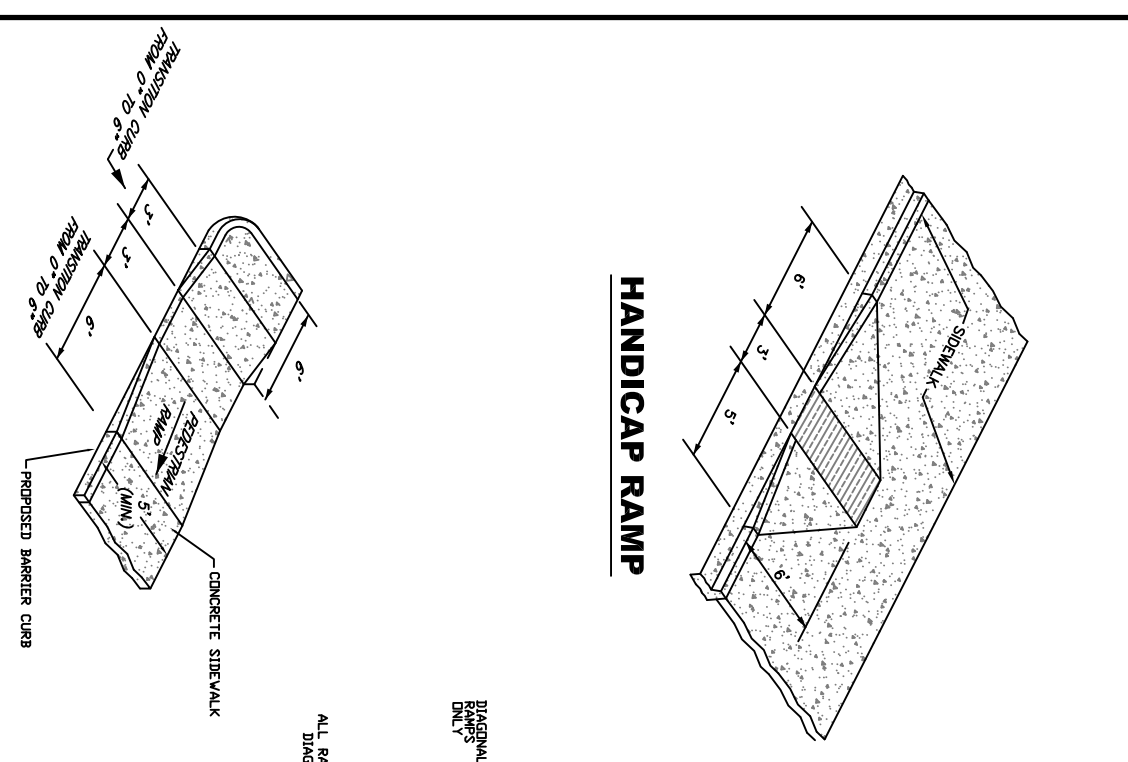
CONCRETE TRAFFIC SEPARATOR



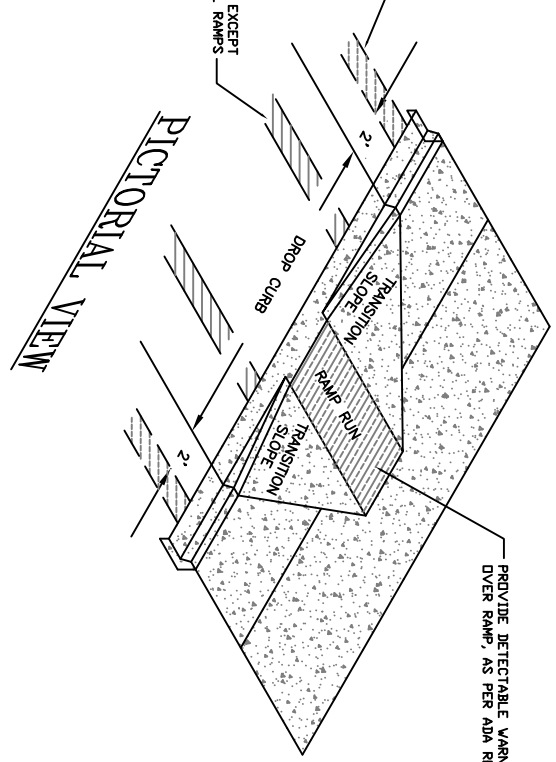
PAVER INSTALLATION



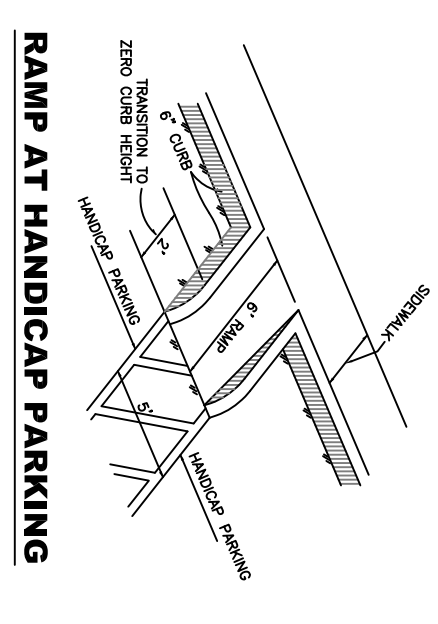
METAL GUARDRAIL



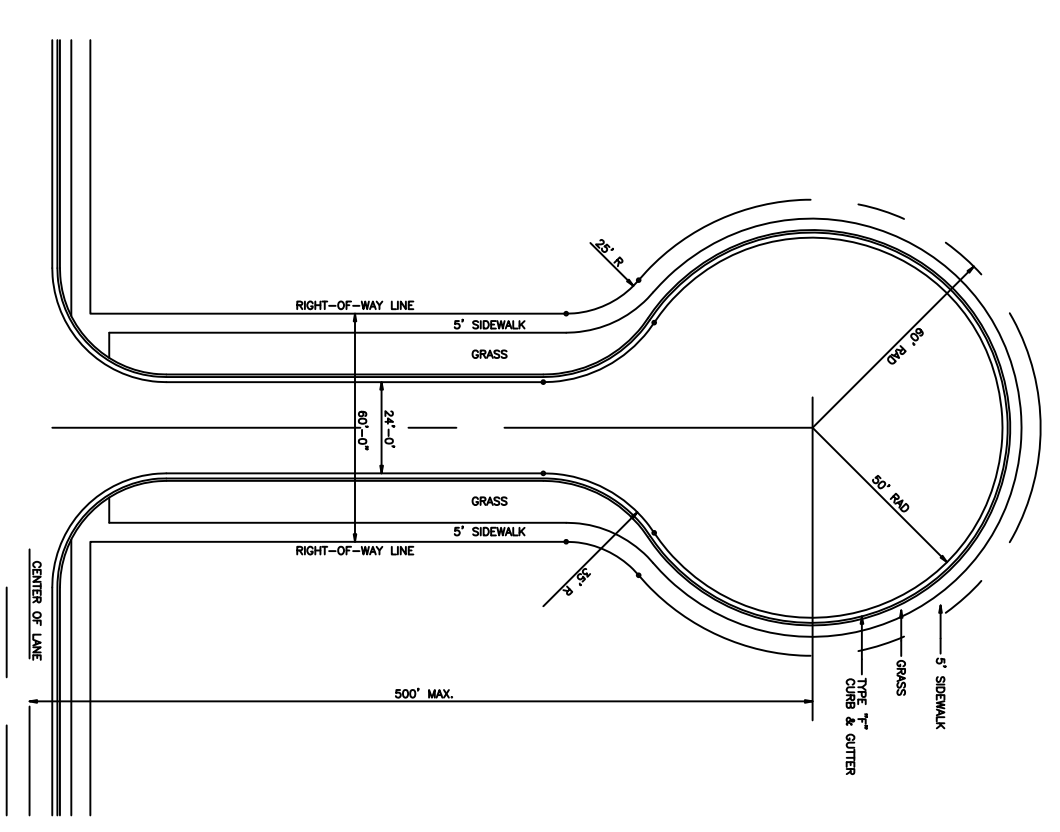
HANDICAP RAMP



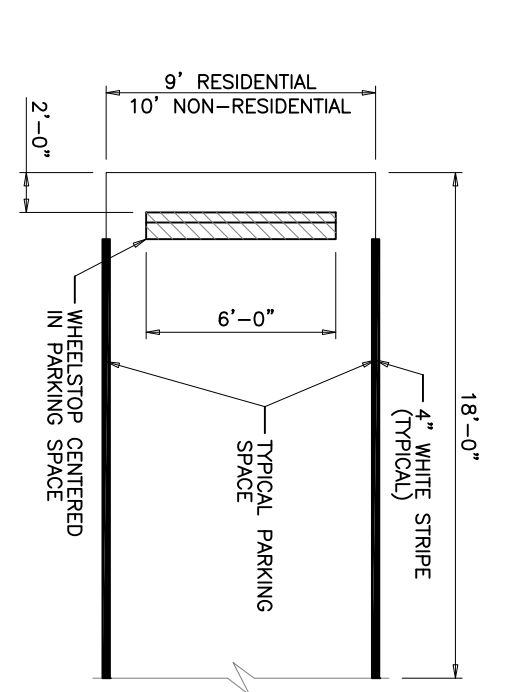
SAMPLE PEDESTRIAN RAMPS



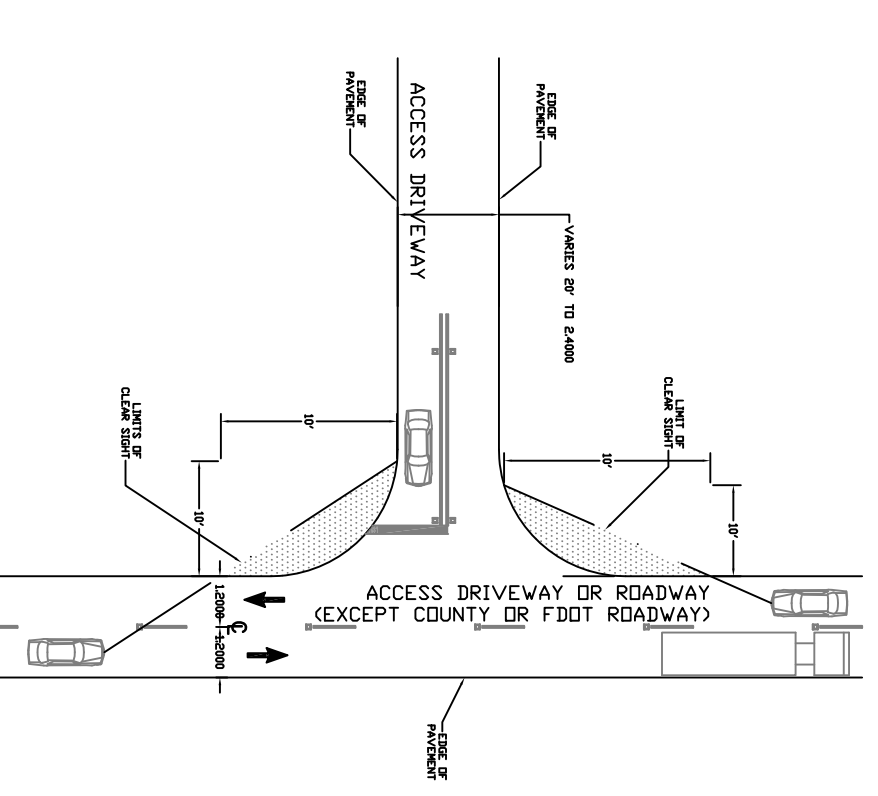
RAMP AT HANDICAP PARKING



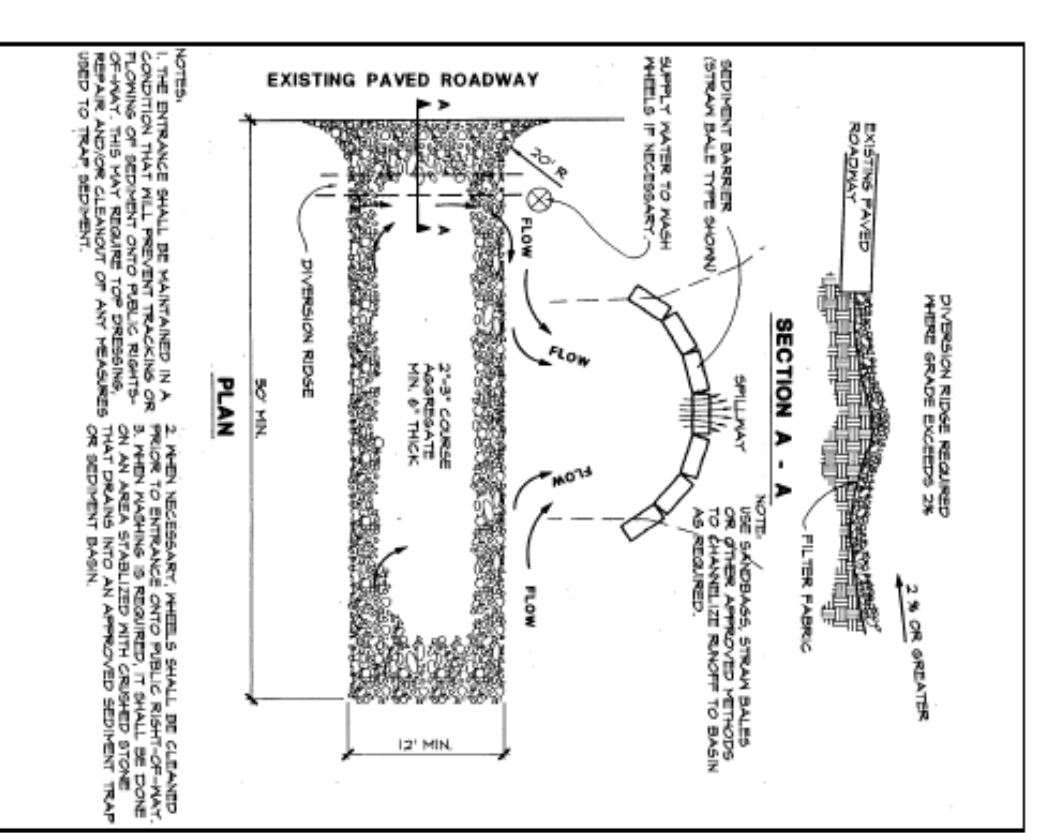
CUL DE SAC DETAIL



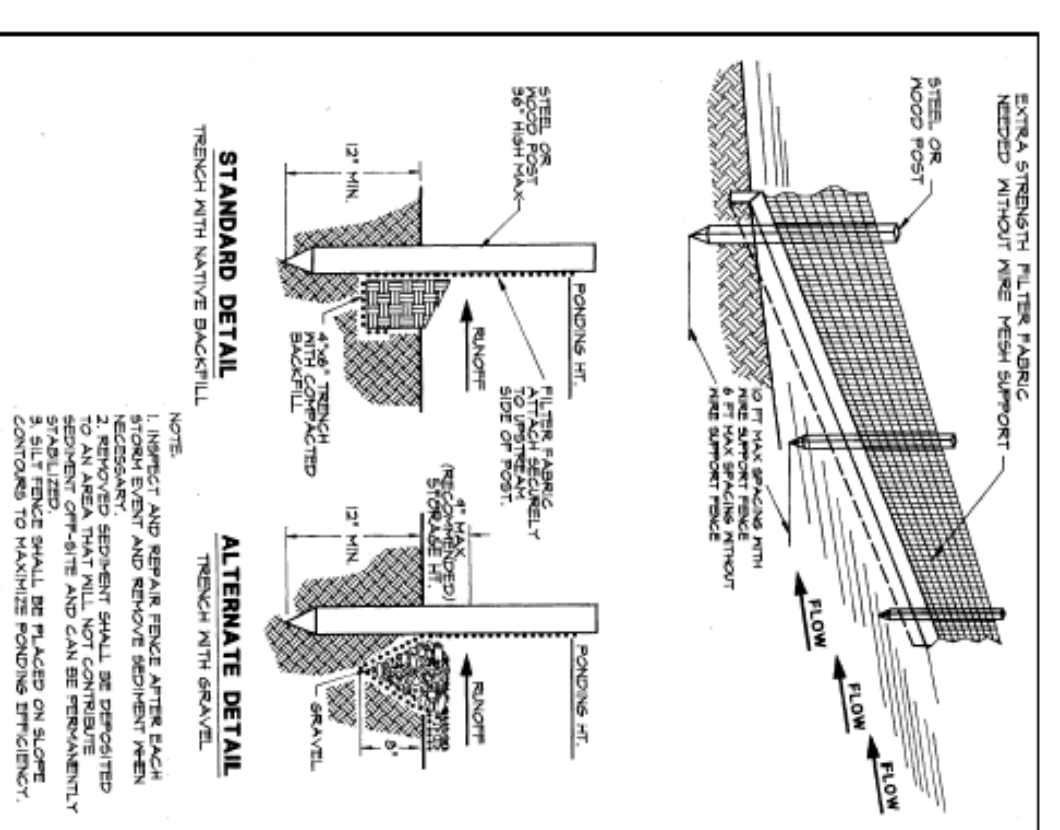
TYPICAL PARKING SPACE



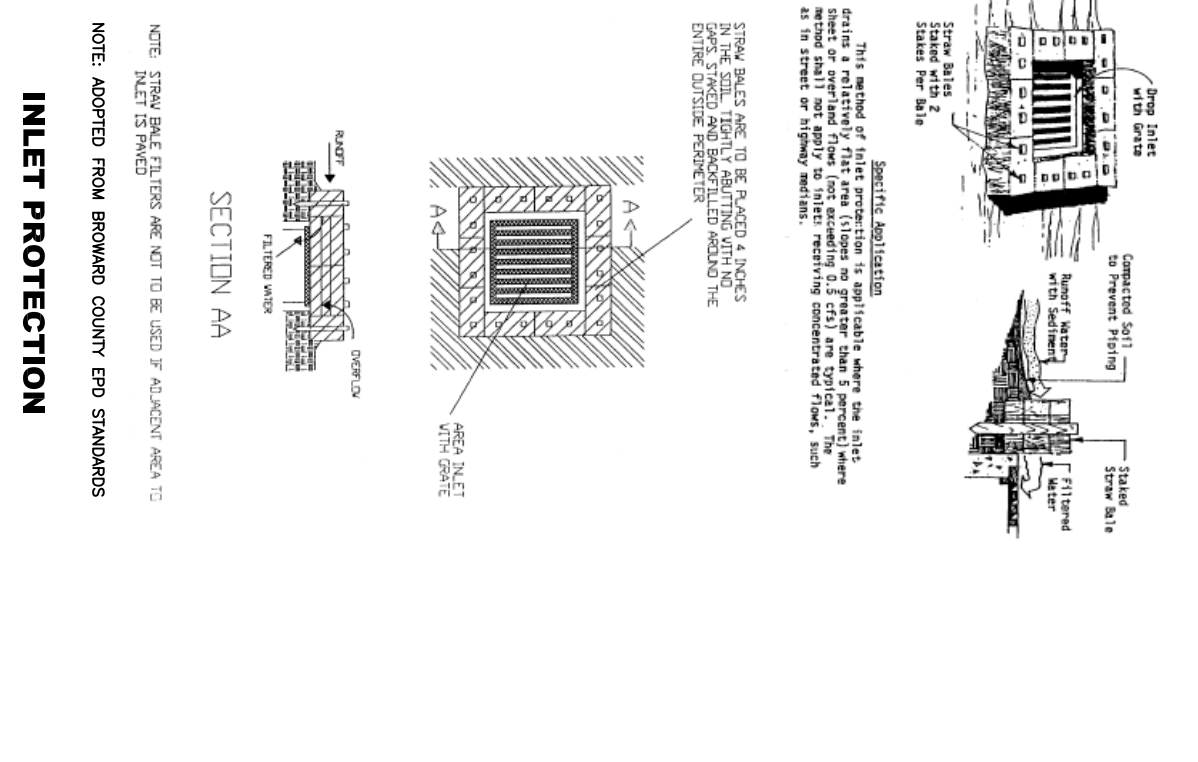
DRIVEWAY CONNECTION



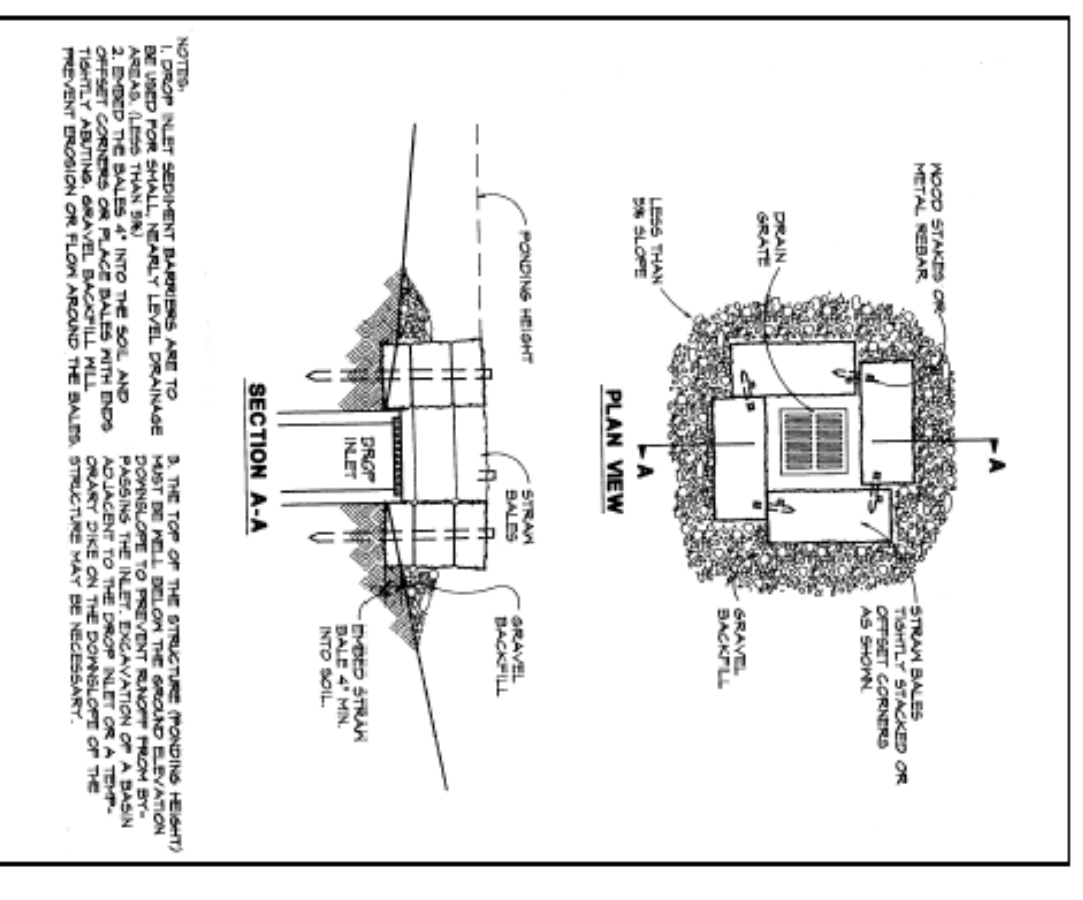
TEMPORARY CONSTRUCTION ENTRANCE



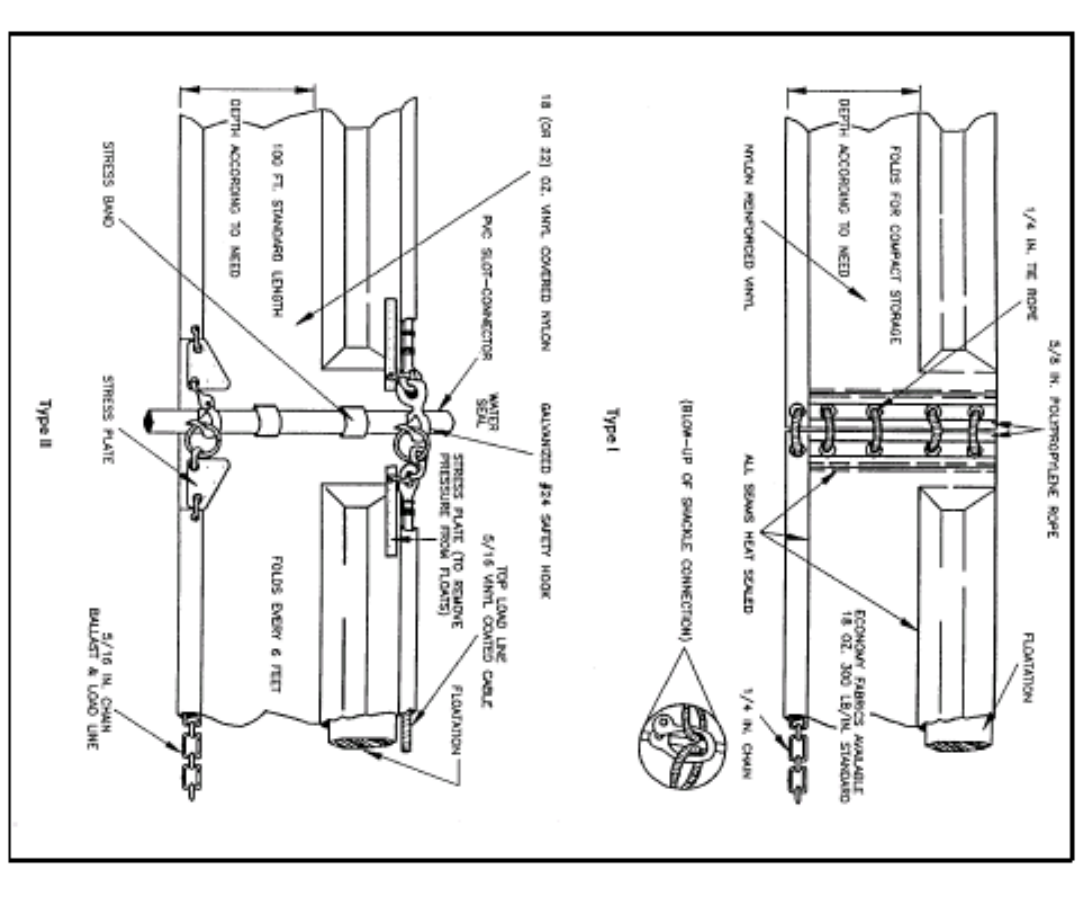
SILT FENCE



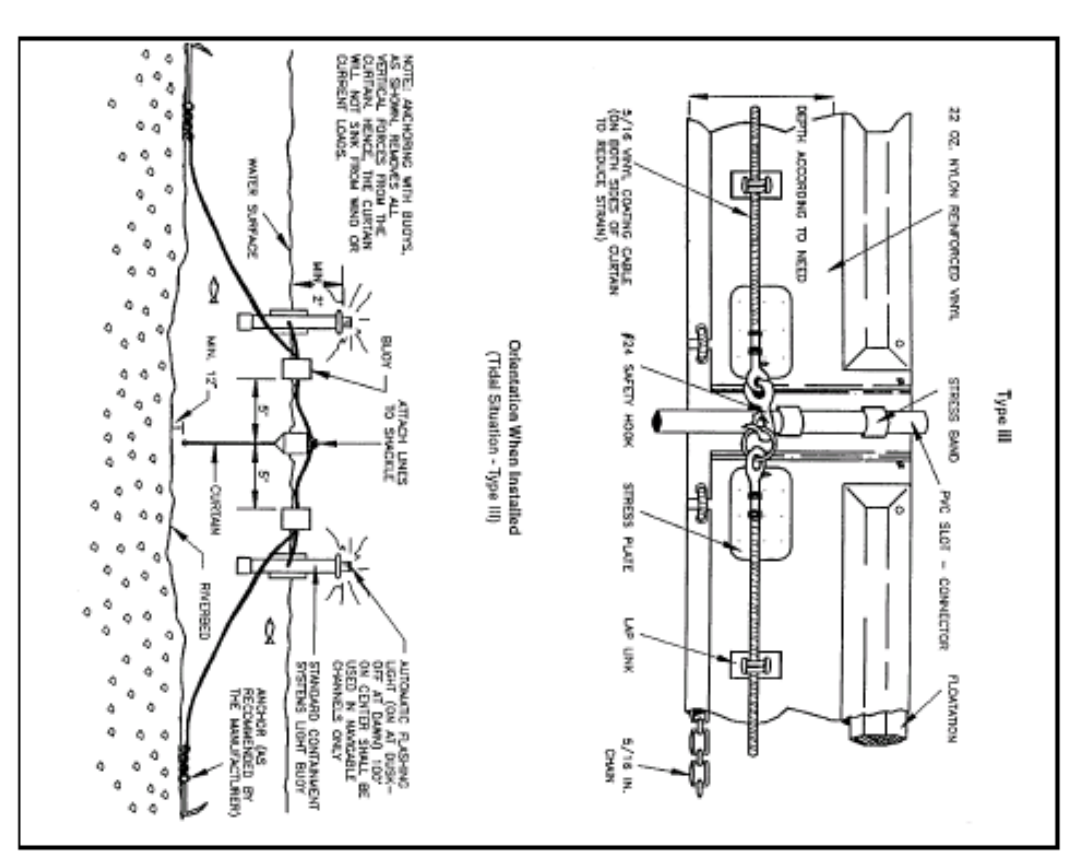
INLET PROTECTION



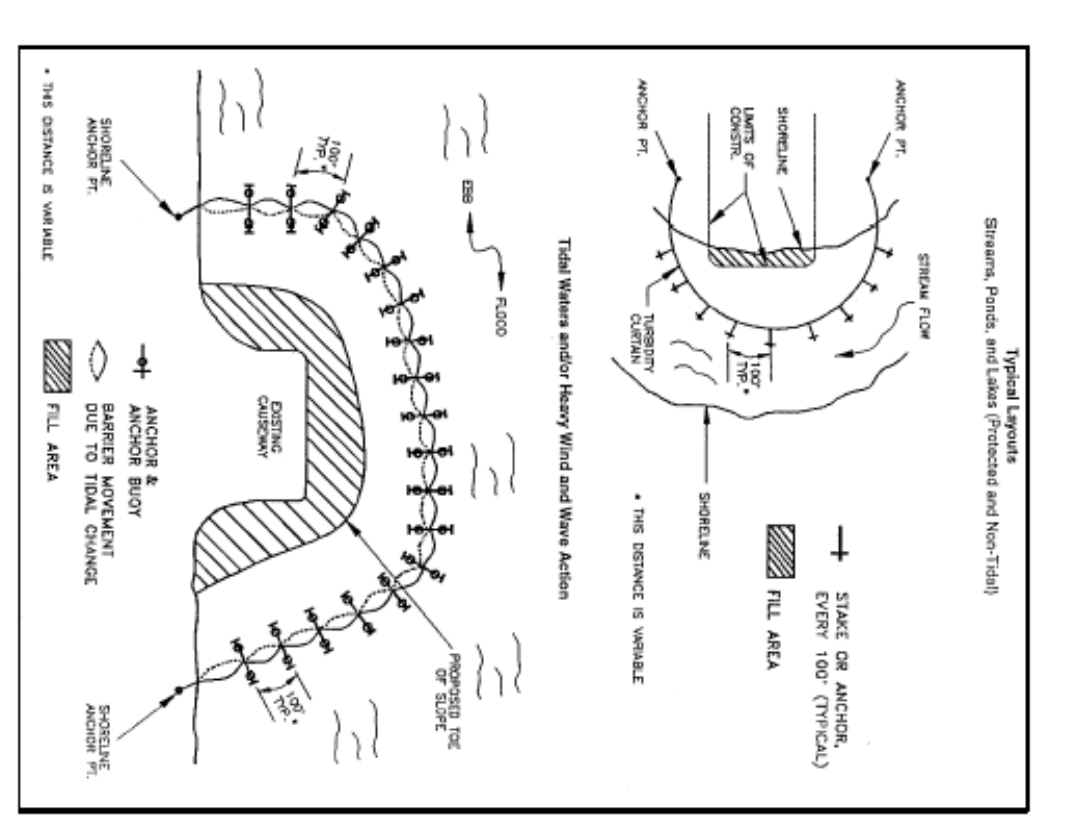
INLET PROTECTION



TURBIDITY BARRIERS



TURBIDITY BARRIERS



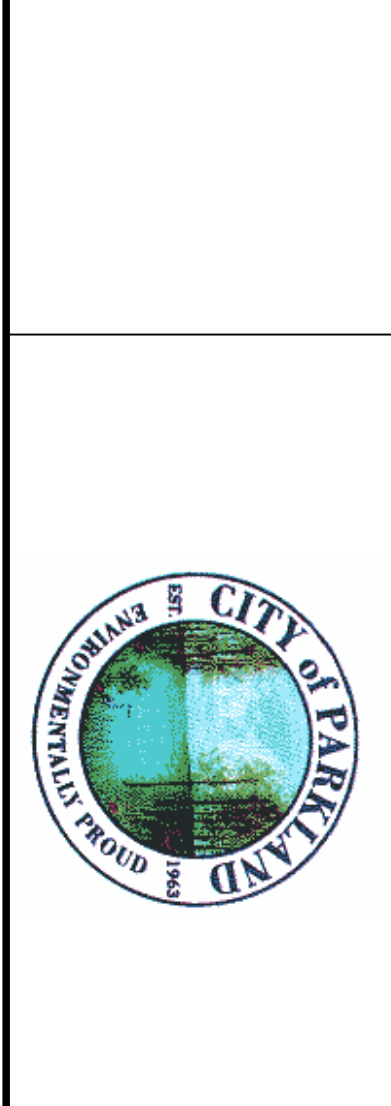
TURBIDITY BARRIERS



TURBIDITY BARRIERS

No.	Date	By	Design By:
			Drawn By:
			Checked By:
			Approved By:

CITY OF PARKLAND
ENGINEERING DIVISION



STANDARD DETAILS
PAYING AND DRAINAGE
CITY OF PARKLAND, BROWARD COUNTY, FLORIDA

Scale: N.T.S.
SHEET PD5